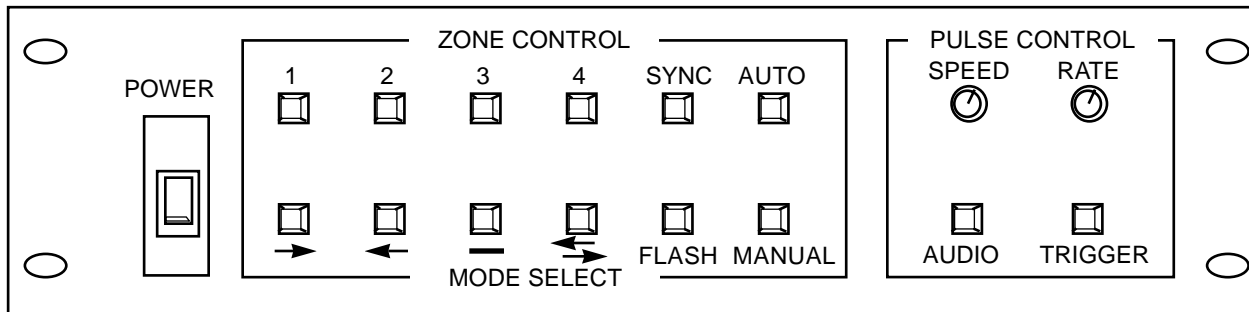


Flash-2C™

4 CHANNEL FLASH TUBE CONTROLLER



Model: Flash-2C™

SPECIFICATIONS:

Power: 110V/60Hz
 Weight: 8 lbs.
 Size: 19" x 3.5" x 5"
 Fuse: 15A

SET UP:
 Link the Flash Tubes to the Flash-2C™ by inserting tube connectors into controller sockets on the back of unit. The maximum length to first Flash Tube™ is 10 ft, any more and you will have to use a Flash Buffer.

If you connect more than 30 Flash Tubes in any single line use a Flash Buffer™ to boost signal.

At the end of each line connect a Flash-Term™. If you don't use one the Flash Tubes will work but not properly. Plug Flash-2C™ and any Flash Buffer™ into power. Refer to Operating instructions for use.

Caution! Always use appropriate cables and connectors. Remember to always replace with same fuses. Always keep controllers dry. Don't exceed load and length limitations

Thank you for purchasing this American DJ® product. For your convenience this products ready to be used, there is no assembly required. Please read the following instructions before installing or using your new unit.

- Operating Instructions:**
 The American DJ® Flash-2C, flash tube controller is ideal for mobile DJ's and club use. One Flash-2C will control 4 expandable lines of Flash Tubes.
- POWER- ON & OFF
 - 1,2,3,4 - ON & OFF for individual lines.
 - SYNC - All tube flash at the same time
 - AUTO - Flashes line of tubes one by one
 - SPEED knob - Controls speed of chase.
 - RATE knob - Controls rate of pulse (ie. speed between triggering strobe) of the Flash Tubes.
 - TRIGGER - starts a flash run when in manual mode
 - MANUAL - allows you to TRIGGER flash manually.
 - MODE SELECT - Choose 1 of 4 modes to chase in.
 - 1. Rebound
 - 2. Crossover
 - 3. Reverse
 - 4. Forward

For service, contact your American DJ® dealer .